

## 30w LED Floodlight



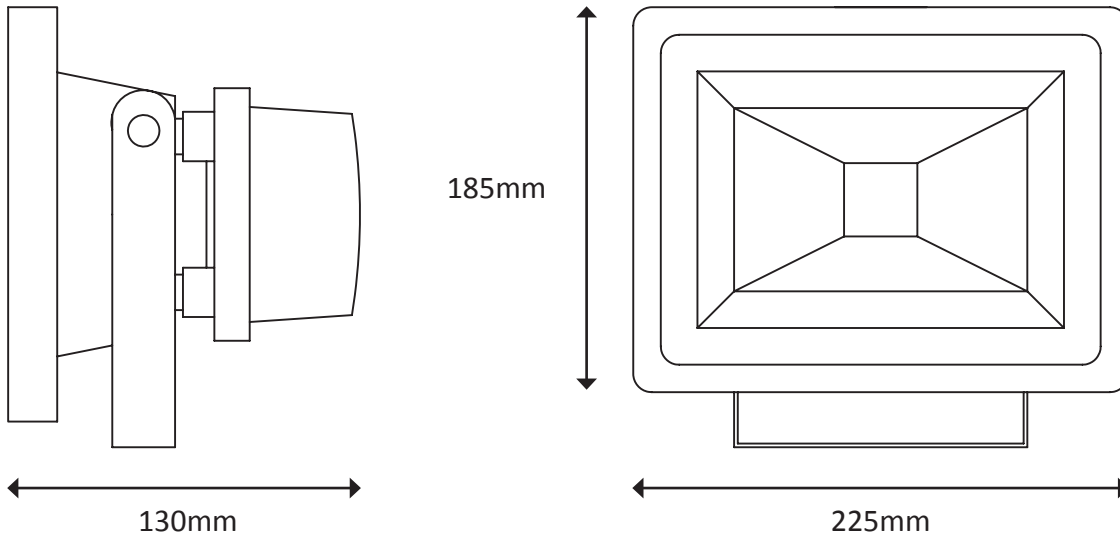
### Features:

- Direct replacement for 300w halogen floodlight
- High colour rendering (CRI >80) for vivid colours
- Lasts up to 20 times longer than standard halogen lamps
- Ingress Protection IP65
- Save up to 85% energy
- Contains no mercury or lead
- Meanwell LED Driver

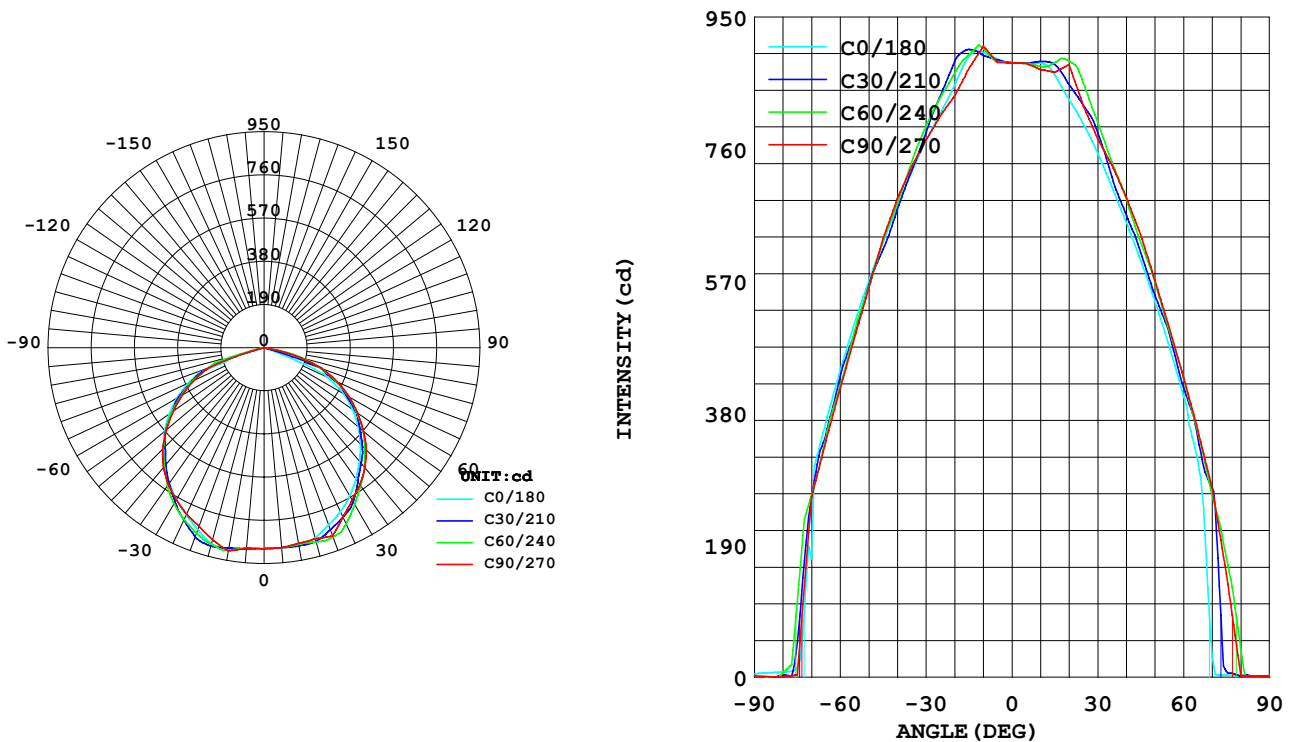
# Specifications

Ordering Code	Body Colour	Input Voltage	Watt (W)	Colour temp (K)	Beam Angle	Lumens	Lumens per watt	CRI	Power Factor	Equivalent	Dimmable	Rated Life
400374GR	Grey	110-265v	30w	4200k	120	2400	80	>80	0.9	300w	No	30,000
400374BL	Black	110-265v	30w	4200k	120	2400	80	>80	0.9	300w	No	30,000

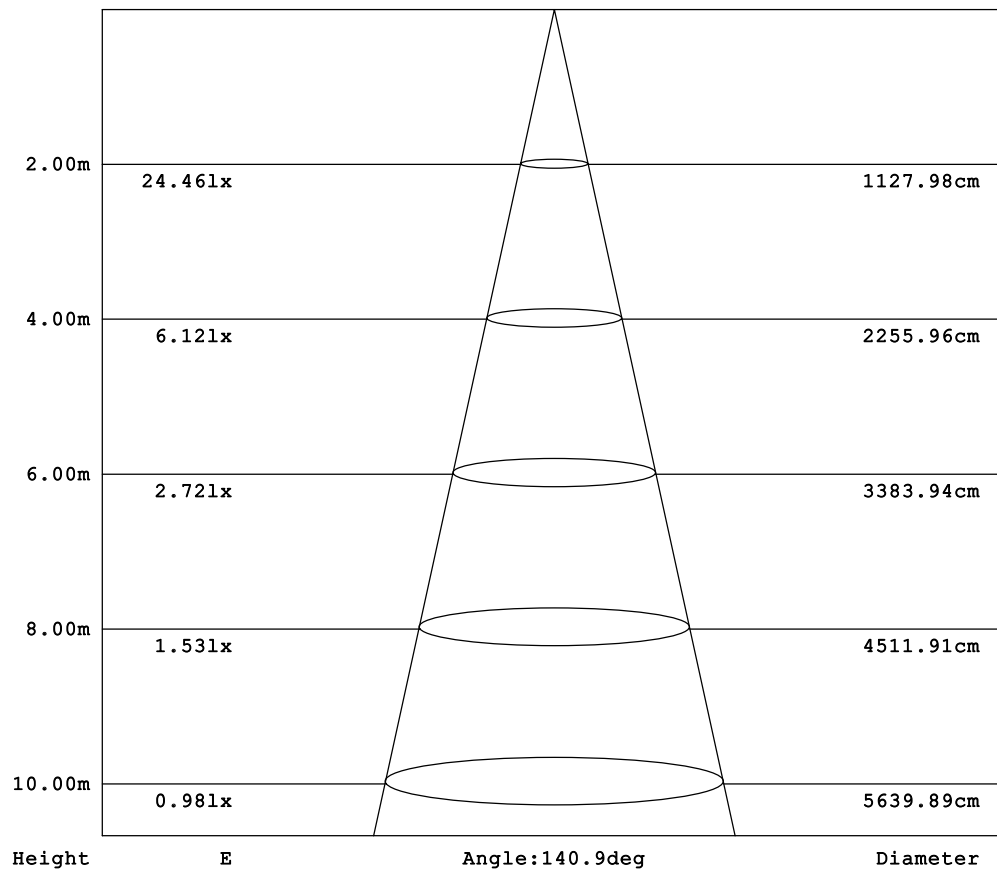
## Lamp dimensions



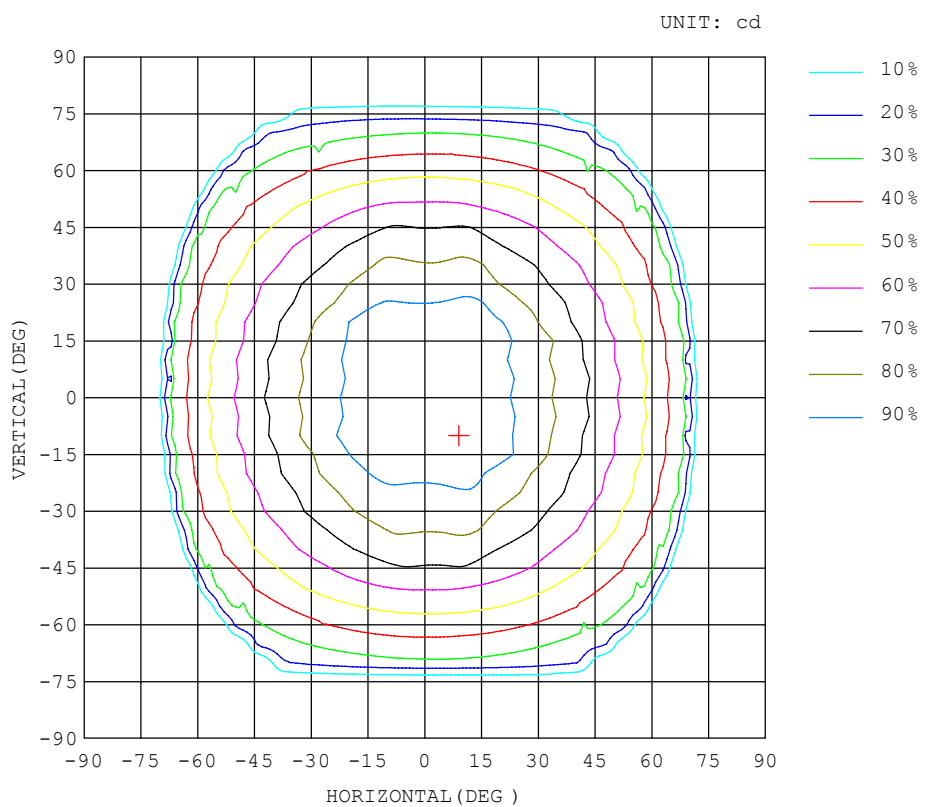
## Luminous intensity distribution



## illuminance Figure



## Isocandela Diagram



## Technical Specification

Parameter	Specification
LED Driver	Meanwell
LED Chip	Epistar
Warranty	3 years
Input Voltage	90-264 ACV 50Hz
Inout Power	30w $\pm$ 10%
CRI	>80
Lumen Output	2400 Lumens Nominal
Colour Temp	4200k Cool White
Working Temp	-25 to +45 degree C
Storage Temp	-45 to +70 degree C
Relative Humidity	Min 10% Max 90%
Max working Altitude	2000m
Input Power Factor	.92
Input Effective Current	Min 0.1A Max 0.15A
Input Power	Min 29w Max 33w
Harmonic Distortion	20%
LED Light Source constant current	Min 320mA Max 360mA
LED Light Source constant voltage	Min 27v Max 34v
MTBF	$\geq$ 25000H
Heat Sink	Product use at room temp. Max less than 70°c
Weight	0.55KG
Initial Luminous Flux	2400-2800lm
Initial Colour Rendering	65
Initial Related colour temp	See Diagram
Optic maintenance ratio	70%
Stroboscopic	No
Temp Power Drift	10%
Temp Flux Drift	10%
Lighting on Lamp time	100mS
Lighting off lamp time	100mS
Beam Angle	120 Degrees
Light Distribution curve	See diagram
Projection Area	See diagram
Flare shape	See diagram
H.V Test	3000VAC<5mA 60s L,N--GND
Insulation Resistance	1000VDC>10M Primary-subprime
Leakage Current	Input 264VAC/50Hz <3.5mA L,N--GND
EMC Certificate Numbers	CE EN55015
Protection grade	IP65
Input Connection	Via 0.5m 3 Core Mains Cable