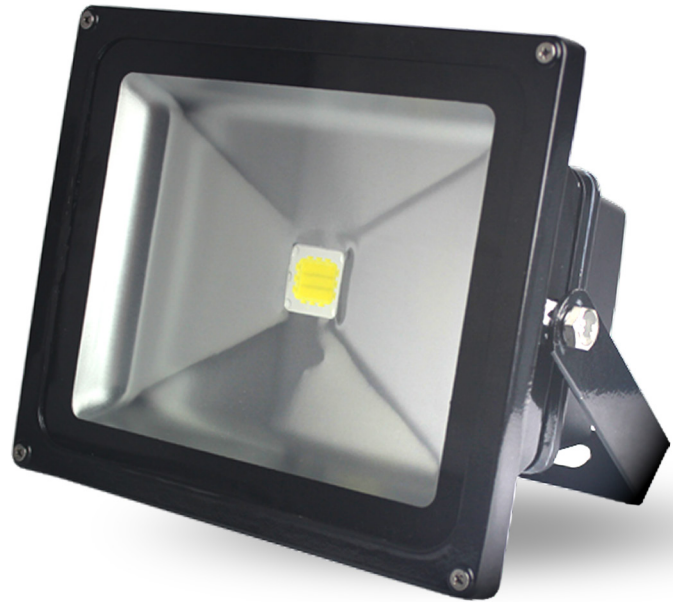


50w LED Floodlight



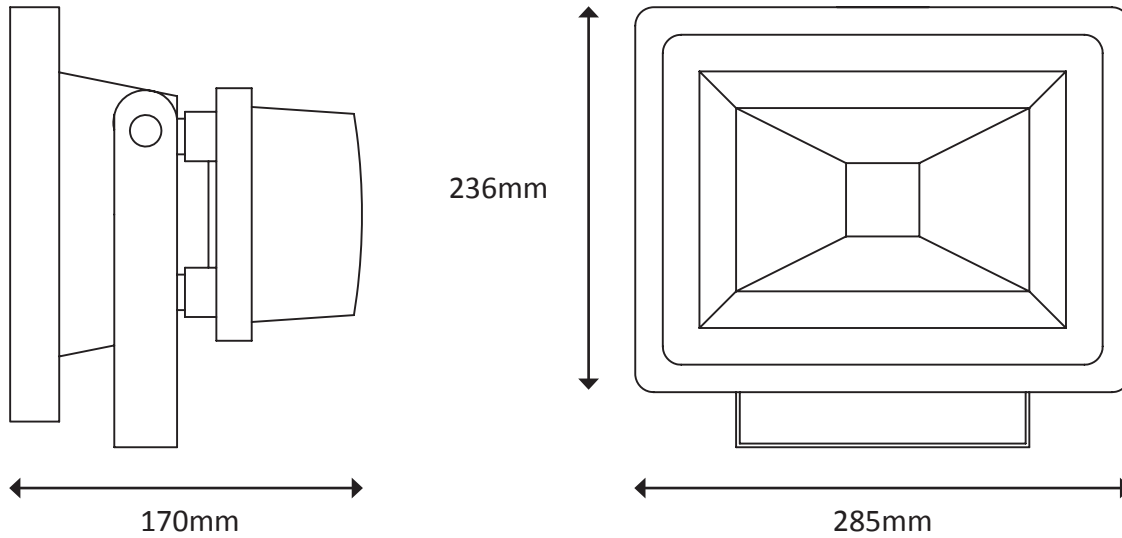
Features:

- Direct replacement for 500w halogen floodlight
- High colour rendering (CRI >80) for vivid colours
- Lasts up to 20 times longer than standard halogen lamps
- Ingress Protection IP65
- Save up to 85% energy
- Contains no mercury or lead
- Meanwell LED Driver

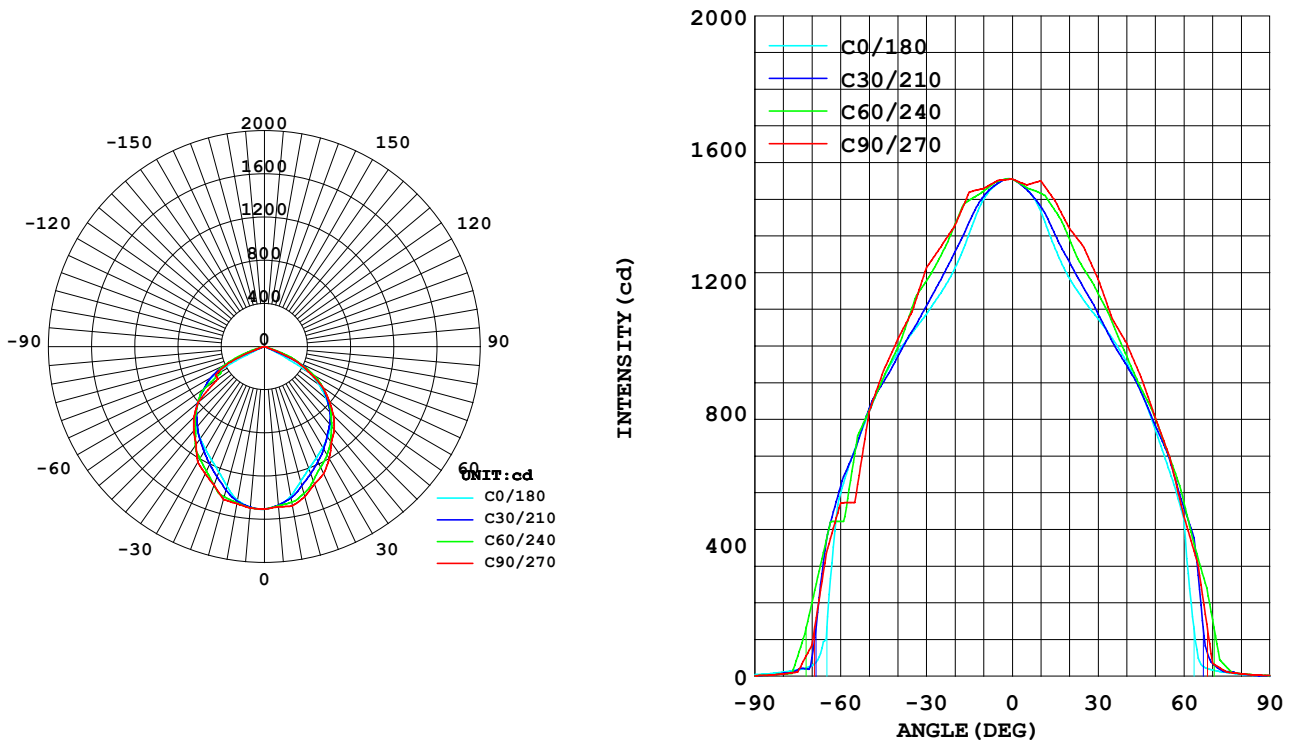
Specifications

Ordering Code	Body Colour	Input Voltage	Watt (W)	Colour temp (K)	Beam Angle	Lumens	Lumens per watt	CRI	Power Factor	Equivalent	Dimmable	Rated Life
400377GR	Grey	110-265v	50w	4200k	120	4000	80	>80	0.9	500w	No	30,000
400377BL	Black	110-265v	50w	4200k	120	4000	80	>80	0.9	500w	No	30,000

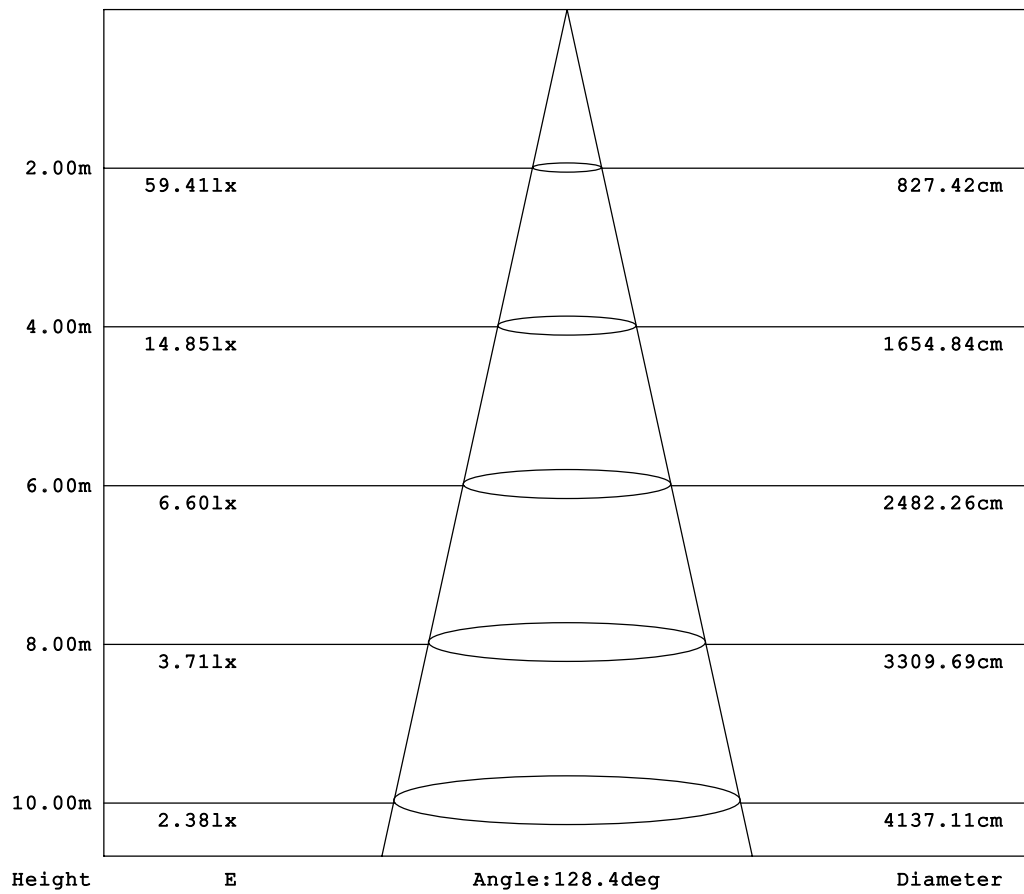
Lamp dimensions



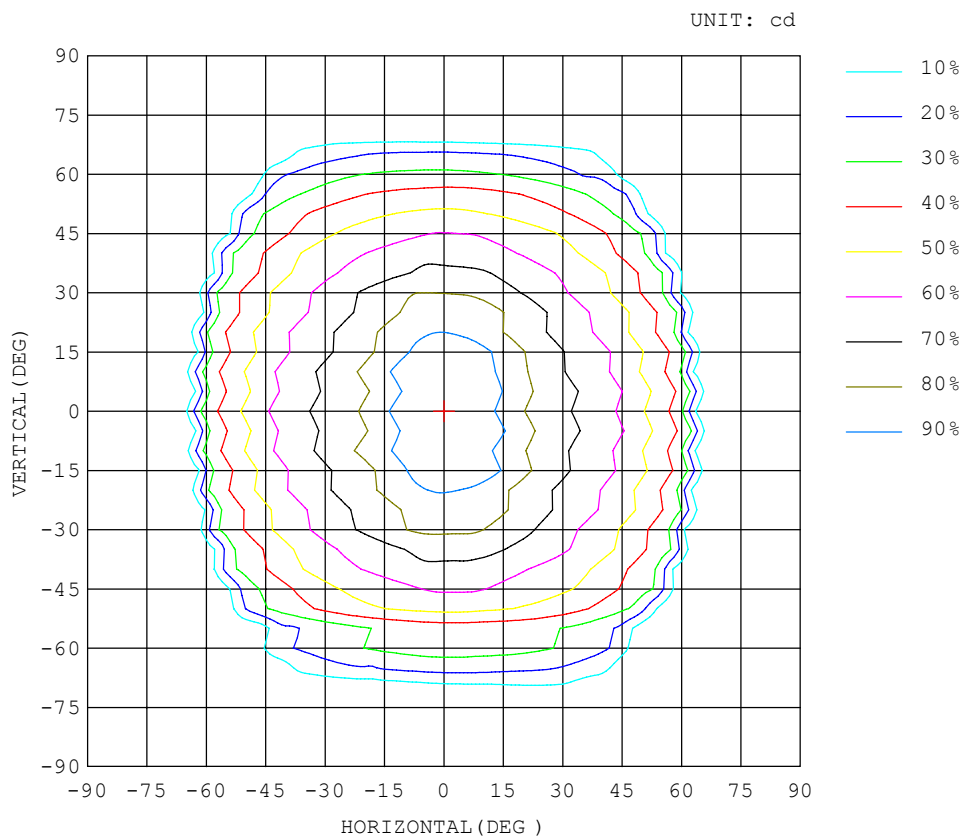
Luminous intensity distribution



illuminance Figure



Isocandela Diagram



Technical Specification

Parameter	Specification
LED Driver	Meanwell
LED Chip	Epistar
Warranty	3 years
Input Voltage	90-264 ACV 50Hz
Inout Power	50w \pm 10%
CRI	>80
Lumen Output	4000 Lumens Nominal
Colour Temp	4200k Cool White
Working Temp	-25 to +45 degree C
Storage Temp	-45 to +70 degree C
Relative Humidity	Min 10% Max 90%
Max working Altitude	2000m
Input Power Factor	.92
Input Effective Current	Min 0.1A Max 0.15A
Input Power	Min 48w Max 53w
Harmonic Distortion	20%
LED Light Source constant current	Min 320mA Max 360mA
LED Light Source constant voltage	Min 27v Max 34v
MTBF	\geq 25000H
Heat Sink	Product use at room temp. Max less than 70°c
Weight	0.55KG
Initial Luminous Flux	4000-4400lm
Initial Colour Rendering	65
Initial Related colour temp	See Diagram
Optic maintenance ratio	70%
Stroboscopic	No
Temp Power Drift	10%
Temp Flux Drift	10%
Lighting on Lamp time	100mS
Lighting off lamp time	100mS
Beam Angle	120 Degrees
Light Distribution curve	See diagram
Projection Area	See diagram
Flare shape	See diagram
H.V Test	3000VAC < 5mA 60s L,N--GND
Insulation Resistance	1000VDC > 10M Primary-subprime
Leakage Current	Input 264VAC/50Hz < 3.5mA L,N--GND
EMC Certificate Numbers	CE EN55015
Protection grade	IP65
Input Connection	Via 0.5m 3 Core Mains Cable