

## QTP8 3X/4X18/230...240

---

QUICKTRONIC PROFESSIONAL 8 | ECG for FL 26 mm



- Suitable for use in emergency lighting systems as per EN 50172/DIN VDE 0108-100

### Product benefits

---

- Automatic restart after lamp replacement

### Product features

---

- Supply voltage: 220...240 V
- Line voltage: 198...264 V
- Line frequency: 0 Hz, 50 Hz...60 Hz
- Lamp start with optimum filament preheating
- Life time: >100,000 h (for T = 65°C at T<sub>c</sub>)
- Safety: to EN 61347-2-3
- Lamp operation: to EN 60929
- RI suppression: to EN 55015:2006+A1:2007+A2:2009/CISPR 15
- Line harmonics: to EN 61000-3-2
- Immunity: to EN 61547

## Technical data

---

### Electrical data

Nominal voltage	230...240 V
Mains frequency	50/60 Hz
DC voltage	154...276 V
Operating frequency	40...50 kHz
Max. no. of ECGs on circuit breaker 10 A	17

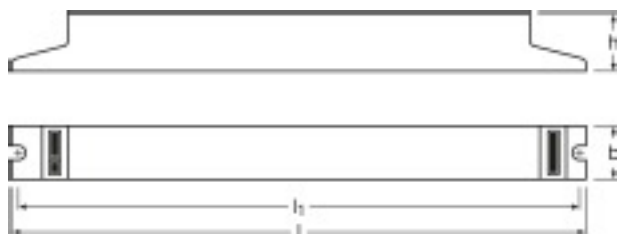
### Light technical data

Rated starting time	2.0 s <sup>1)</sup>
---------------------	---------------------

<sup>1)</sup> Warm start

### Dimensions & weight

Length	423.0 mm
Width	40.0 mm
Height	30.0 mm
Mounting hole spacing, length	415.0 mm
Product weight	470.00 g



Product line drawing with letters

### Temperatures

Ambient temperature range	-25...+55 °C
---------------------------	--------------

### Capabilities

Dimmable	No
Suitable for fixtures with prot. class	I / II

### Certificates & standards

Approval marks – approval	E1 approval / VDE / VDE-EMC
EEI – Energy Label	A2
Standards	acc. to EN 61347-2-3 / acc. to EN 60929 / acc. to EN 55015:2006 + A1:2007 / acc. to EN 61000-3-2 / acc. to EN 61547

## Lamp-ECG combination (System)

---

### L 18 W XT

---

Ambient temperature range	-25...+50 (°C)
---------------------------	----------------

---

#### Products

L 18W/830 XT

L 18W/840 XT

L 18W/865 XT

### L 18 W XT

---

Ambient temperature range	-25...+50 (°C)
---------------------------	----------------

---

#### Products

L 18W/830 XT

L 18W/840 XT

L 18W/865 XT

### L 18 W XXT

---

Ambient temperature range	-25...+50 (°C)
---------------------------	----------------

---

#### Products

L 18W/830 XXT

L 18W/840 XXT

L 18W/865 XXT

### L 18 W XXT

---

Ambient temperature range	-25...+50 (°C)
---------------------------	----------------

---

#### Products

L 18W/830 XXT

L 18W/840 XXT

L 18W/865 XXT

**L 18 W**

---

<b>Ambient temperature range</b>	-25...+50 (°C)
----------------------------------	----------------

---

**Products**

L 18W/530  
L 18W/535  
L 18W/60  
L 18W/62  
L 18W/640  
L 18W/66  
L 18W/67  
L 18W/73  
L 18W/730 SMARTLUX  
L 18W/740 SMARTLUX  
L 18W/76  
L 18W/76 SPS  
L 18W/765  
L 18W/765 SMARTLUX  
L 18W/77  
L 18W/780  
L 18W/827  
L 18W/830  
L 18W/830 U  
L 18W/835  
L 18W/840  
L 18W/840 SPS  
L 18W/850  
L 18W/860  
L 18W/865  
L 18W/880 SKYWHITE  
L 18W/930  
L 18W/940  
L 18W/940 UVS  
L 18W/950 COLOR PROOF  
L 18W/954  
L 18W/954 UVS  
L 18W/965  
L 18W/965 BIOLUX

**L 18 W**

---

<b>Ambient temperature range</b>	-25...+50 (°C)
----------------------------------	----------------

---

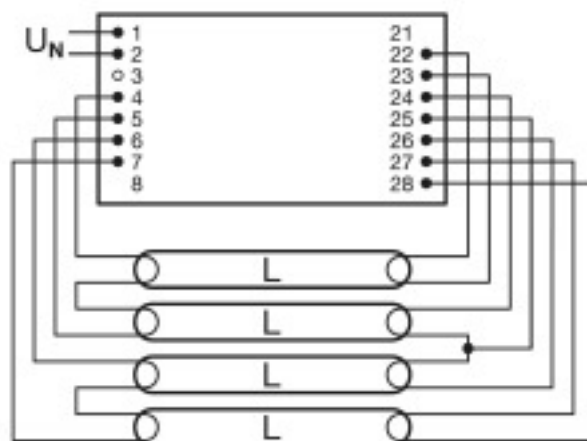
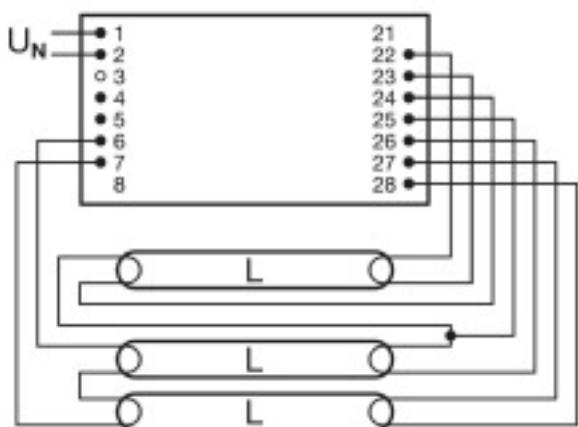
**Products**

L 18W/530  
L 18W/535  
L 18W/60  
L 18W/62  
L 18W/640  
L 18W/66  
L 18W/67  
L 18W/73  
L 18W/730 SMARTLUX  
L 18W/740 SMARTLUX  
L 18W/76  
L 18W/76 SPS  
L 18W/765  
L 18W/765 SMARTLUX  
L 18W/77  
L 18W/780  
L 18W/827  
L 18W/830  
L 18W/830 U  
L 18W/835  
L 18W/840  
L 18W/840 SPS  
L 18W/850  
L 18W/860  
L 18W/865  
L 18W/880 SKYWHITE  
L 18W/930  
L 18W/940  
L 18W/940 UVS  
L 18W/950 COLOR PROOF  
L 18W/954  
L 18W/954 UVS  
L 18W/965  
L 18W/965 BIOLUX



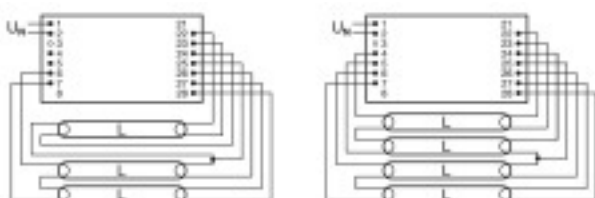
Guarantee

Guarantee



Wiring diagram

Wiring diagram



---

*Wiring diagram*

**Logistical Data**

Product code	Packaging unit (Pieces/Unit)	Dimensions (height x width x length)	Gross weight	Volume
4008321131706	Unpacked 1	- x - x -	470.00 g	
4008321131713	Shipping carton box 20	215 mm x 134 mm x 437 mm	9650.00 g	12.59 dm <sup>3</sup>

## Disclaimer

---

Subject to change without notice. Errors and omission excepted. Always make sure to use the most recent release.